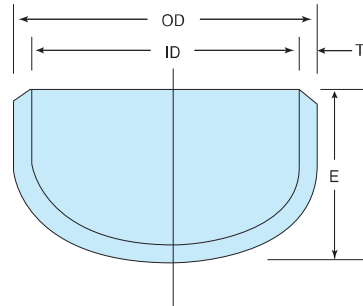


STAINLESS STEEL BUTT-WELDING PIPE FITTINGS (Cap)



Cap / Sch.10s / Sch.20s / Sch.40s

Unit : mm

Nominal Pipe Size		Outside Diameter (OD)	Wall Thickness (T)			Back to Face	Weight (Kg)		
A	B		10S	20S	40S	E	10S	20S	40S
15	1/2	21.7	2.1	2.5	2.8	25.4	0.03	0.03	0.04
20	3/4	27.2	2.1	2.5	2.9	25.4	0.04	0.04	0.05
25	1	34.0	2.8	3.0	3.4	38.1	0.09	0.10	0.11
32	1 1/4	42.7	2.8	3.0	3.6	38.1	0.11	0.12	0.14
40	1 1/2	48.6	2.8	3.0	3.7	38.1	0.13	0.14	0.17
50	2	60.5	2.8	3.5	3.9	38.1	0.17	0.21	0.24
65	2 1/2	76.3	3.0	3.5	5.2	38.1	0.23	0.28	0.42
80	3	89.1	3.0	4.0	5.5	50.8	0.37	0.48	0.67
100	4	114.3	3.0	4.0	6.0	63.5	0.59	0.78	1.17
125	5	139.8	3.4	5.0	6.6	76.2	0.99	1.44	1.90
150	6	165.2	3.4	5.0	7.1	88.9	1.39	1.99	2.83
200	8	216.3	4.0	6.5	8.2	101.6	2.38	4.05	5.11
250	10	267.4	4.0	6.5	9.3	127.0	4.13	6.23	8.92
300	12	318.5	4.5	6.5	10.3	152.4	6.39	8.89	13.10
350	14	355.6	4.8	7.9	11.1	165.1	7.99	13.20	18.60
400	16	406.4	4.8	7.9	12.7	177.8	10.10	16.70	26.70
450	18	457.2	4.8	7.9	14.3	203.2	12.90	21.30	41.50
500	20	508.0	5.5	7.9	15.1	228.6	18.50	31.80	51.30